

# DELTA SERVICE

PRESSURIZATION SYSTEM WITH BOOSTER



[www.deltaservice.eu](http://www.deltaservice.eu)

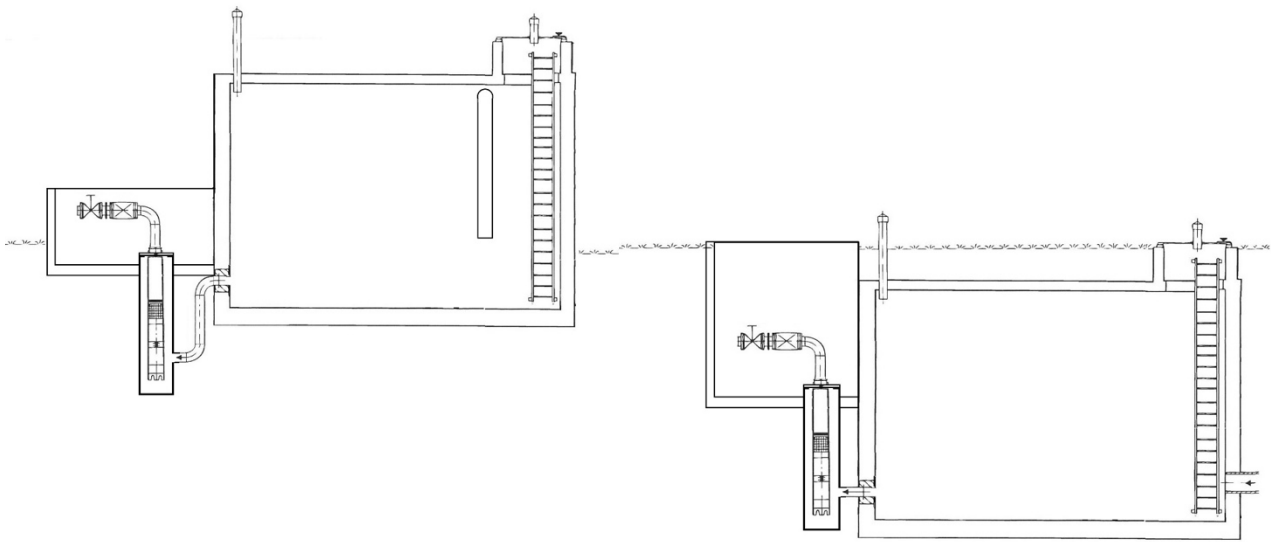
## PRESSURIZATION SYSTEM WITH BOOSTER

The pressurization system is created by housing a suitable submersible pump in a vertical watertight booster, normally buried adjacent to a drinking water tank.

This solution allows you to fully exploit the potential of multistage submersible pumps even for significant heads.

It is an economical solution that guarantees a correct water supply to the electrical equipment (pumps), the correct cooling of the electric motor of the same as well as the complete use of the accumulation volumes.volumes.

### Installation diagram of the pump with above ground tank



### Installation diagram of the pump with an underground tank



**Positioning the booster in the ground adjacent to the tank**

**Boosters can be made to contain single pump, two or more pumps.**



a

**Example of Booster for two pumps**



**Advantages:**

- 1. Extremely small dimensions**
- 2. Easy maintenance or replacement**
- 3. Low installation and maintenance costs**